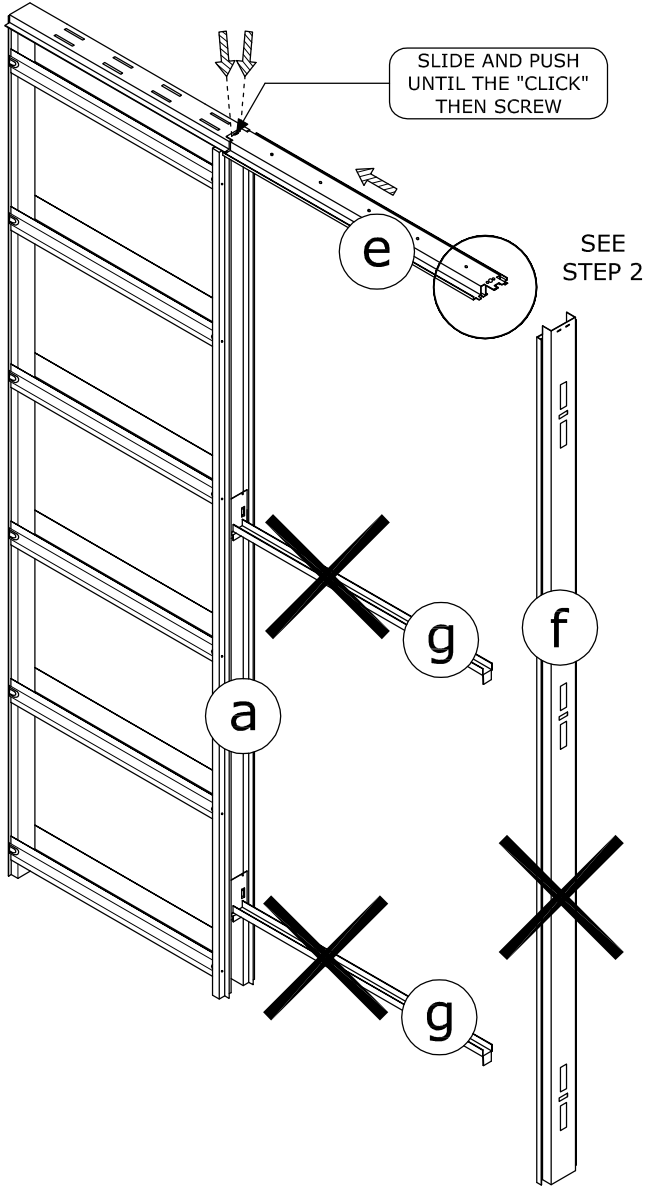


ASSEMBLING INSTRUCTION FOR DOUBLE DOORS



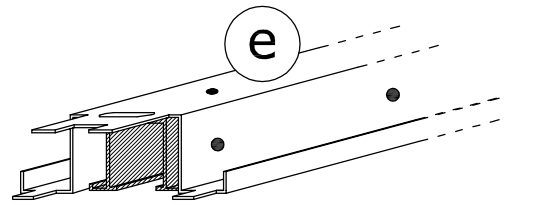
STEP 1

THE METAL DOOR POST (F) AND THE TWO SPACERS (G) SUPPLIED ARE USELESS (SEE SPECIFIC SPACER FOR DOUBLE VERSION - STEP 4)

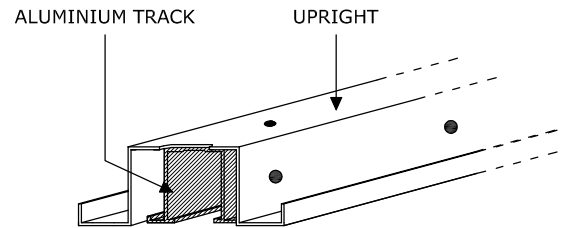


STEP 2

REMOVE THE TABS OF THE UPRIGHT BY CUTTING OR FOLDING



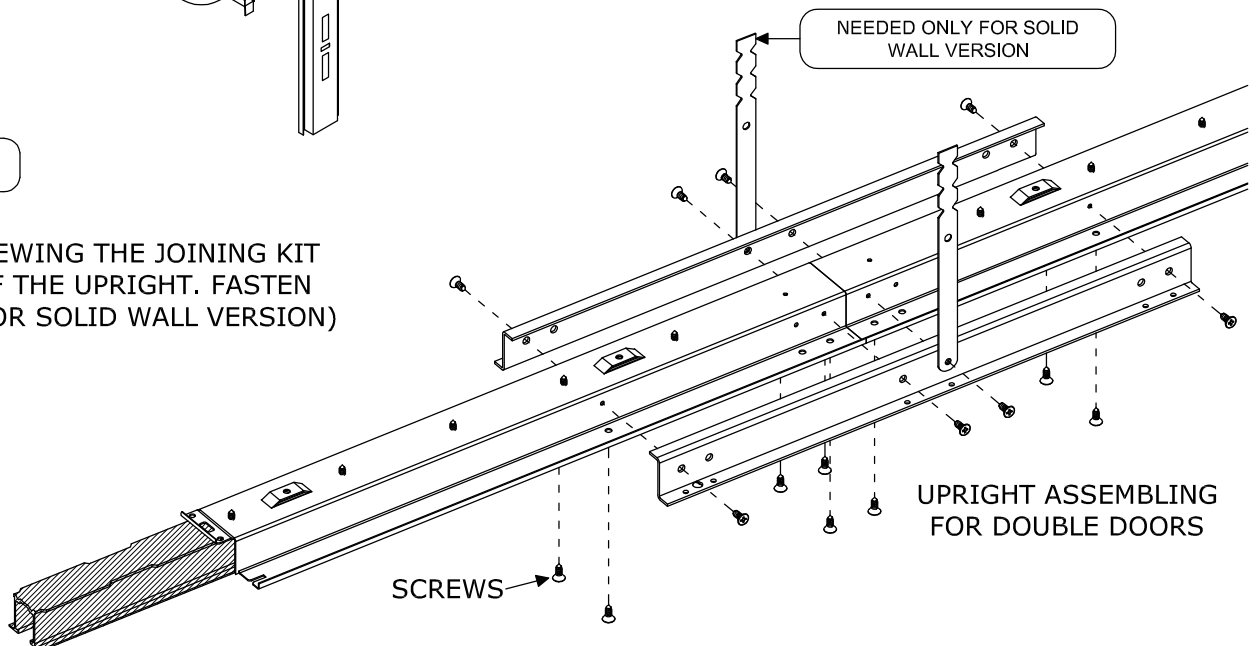
BEFORE



AFTER

STEP 3

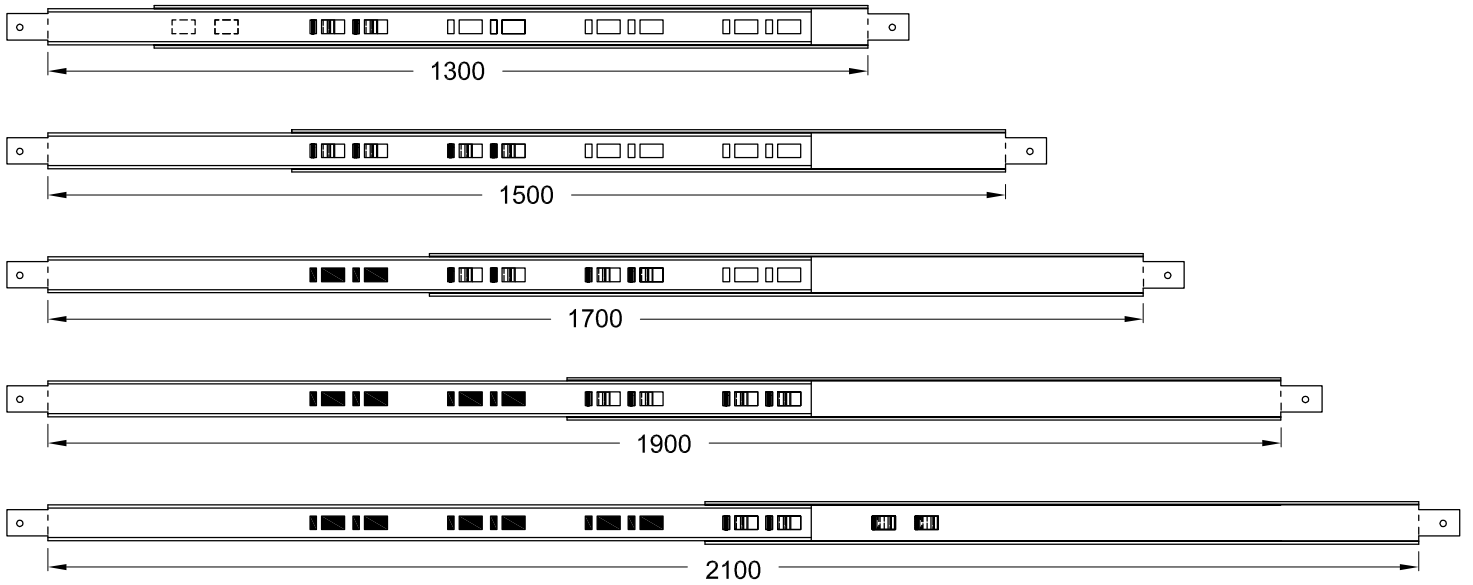
ASSEMBLE BY SCREWING THE JOINING KIT ON BOTH SIDES OF THE UPRIGHT. FASTEN THE WALL TIES (FOR SOLID WALL VERSION)



THE TWO ALUMINIUM RAILS SHOULD BE APPROXIMATELY 4 cm APART TO ALLOW EVENTUAL EXTRACTION. FRONT DOOR STOPS MUST BE INSTALLED IN ORDER TO AVOID RUNNERS DERAILMENT

STEP 4

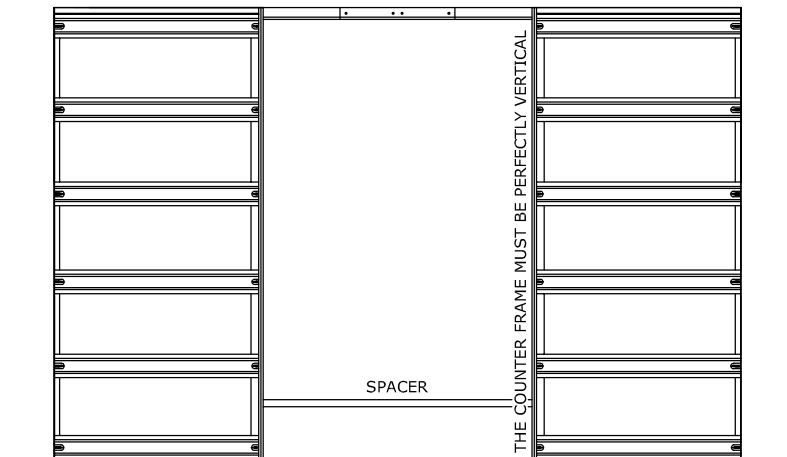
ASSEMBLE THE SPACER BY INSERTING (B) IN (A)



STEP 5

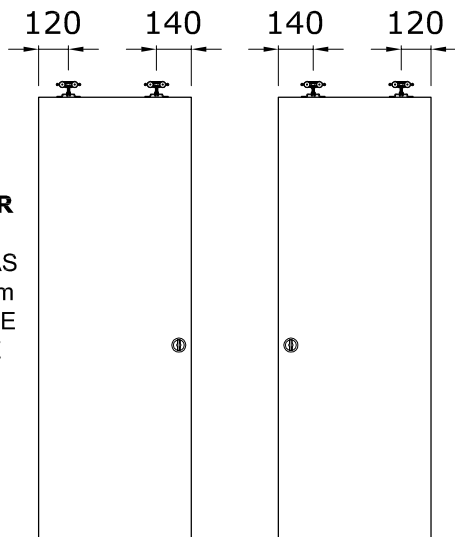
DOUBLE DOORS COUNTERFRAME

PASSAGE SIZE	SPACER'S LENGHT	DOOR PANEL DIMENSIONS
600 + 600 =	L.1300	630 + 630
700 + 700 =	L.1500	730 + 730
800 + 800 =	L.1700	830 + 830
900 + 900 =	L.1900	930 + 930
1000 + 1000 =	L.2100	1030 + 1030



POSITION OF RUNNERS FOR DOUBLE DOORS:

PLACE THE DOOR BRACKETS AS SHOWN ON PICTURE AT 140 mm FROM THE FRONT EDGE OF THE DOOR AND 120 mm FROM THE REAR EDGE



N.B.: PLACE THE DOOR-GUIDE ON THE FLOOR AT 10 mm FROM THE FRONT JAMBS BY USING THE DOUBLE VERTICAL ELEMENT OF THE DOOR-GUIDE

